



# Compact "L" Style Vacuum Filters

"VL" Series 3"-6" MPT, 4"-6" 125/150# Pattern Flange

## APPLICATIONS & EQUIPMENT

- Vacuum Pumps & Systems – P.D., Side Channel, Rotary Vane, Screw, Piston
- Vacuum Packaging Equipment
- Vacuum Furnaces
- Blowers - Side Channel & P.D.
- Pneumatic Conveying Systems
- Remote Install for Piston, Screw & Centrifugal Compressors
- Factory Automation Equip
- Ash Handling
- Food Industry
- Paper Processing
- Glass, Ceramic Processing
- Waste Water Treatment
- Woodworking
- Cement
- Bag House Systems
- Envelope Manufacturing
- Medical Industry
- Chemical Processing

## FEATURES & SPECIFICATIONS

- Vacuum level:** Typically  $1 \times 10^{-3}$  mmHg ( $1.3 \times 10^{-3}$  mbar)
- Polyester: 99%+ removal efficiency standard to 5 micron
- Paper: 99%+ removal efficiency standard to 2 micron
- Compact** design for space restrictions
- Quick release "V" band clamp for ease in maintenance
- Rugged all steel construction w/baked gray enamel finish
- Positive engagement O-ring seal system
- Large** dirt holding capacity and **Easy** field cleaning
- Low pressure drop
- Inlet/outlet 1/4" gauge taps standard
- Temp (continuous): min -15°F (-26°C) max 220°F (104°C)
- Filter change out differential: 10" - 15" H<sub>2</sub>O over initial delta P
- Pressure drop graphs available upon request

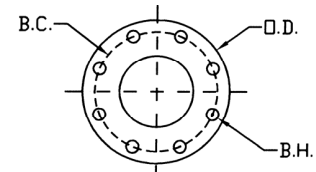
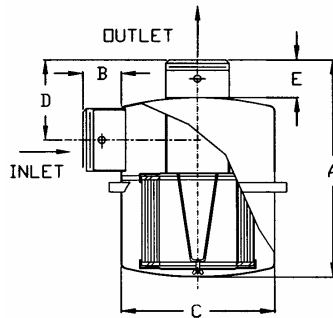
## OPTIONS (Inquiries Encouraged)

- "**Straight Through**" design (VS Series)
- Extended Shell for **High Holding Cap.**
- Various media
- Available in **Stainless Steel**
- Epoxy coated housings
- Support brackets
- Special connections
- Activated carbon prefilters to reduce order

## CONFIGURATION



## DRAWING



Flange Orientation

Note: All side inlet to top outlet flanges are orientated "split center".

Approx. 13" Service Area Needed

**I = Industrial Duty S = Severe Duty E = Extreme Duty**

Dimension tolerance  $\pm 1/4"$

	with Polyester Element	with Paper Element	Inlet & Outlet	Connection Style	DIMENSIONS - inches					Rated Flow SCFM		Approx. Wt. lbs
					A	B	C	D	E	Nominal Rating	Element Rating	
E	VL-275P-300	VL-274P-300	3"	MPT	22 1/2	3 1/2	16	7	2 1/2	300	1100	63
E	VL-275P-400	VL-274P-400	4"	MPT	23 1/2	3 1/2	16	8	3 1/2	520	1100	63
S	VL-275P-500	VL-274P-500	5"	MPT	23 1/2	3 1/2	16	8	3 1/2	800	1100	63
I	VL-275P-600	VL-274P-600	6"	MPT	23 1/2	3 1/2	16	8	3 1/2	1100	1100	63
E	VL-275P-400F	VL-274P-400F	4"	FLG	23 1/2	3 1/2	16	8	3 1/2	520	1100	65
S	VL-275P-500F	VL-274P-500F	5"	FLG	23 1/2	3 1/2	16	8	3 1/2	800	1100	65
I	VL-275P-600F	VL-274P-600F	6"	FLG	23 1/2	3 1/2	16	8	3 1/2	1100	1100	65

125/150# Pattern Flg	DIMENSIONS - inches			No. of Holes	Flange Thickness
	O.D.	B.C.	B.H.		
4"	9	7 1/2	0.75	8	0.38
5"	10	8 1/2	0.88	8	0.38
6"	11	9 1/2	0.88	8	0.38